

# FICHE D'HOMOLOGATION HOMOLOGATION FORM



COMMISSION INTERNATIONALE  
DE KARTING – FIA



## CARBURATEUR / CARBURETTOR

Constructeur	<i>Manufacturer</i>	<b>TILLOTSON LTD.</b>
Marque	<i>Make</i>	<b>TILLOTSON</b>
Modèle	<i>Model</i>	<b>HW-12</b>
Catégorie	<i>Category</i>	<b>KF1</b>
Durée de l'homologation	<i>Validity of the homologation</i>	9 ans / 9 years
Nombre de pages	<i>Number of pages</i>	2

La présente Fiche d'Homologation reproduit descriptions, illustrations et dimensions du carburateur au moment de l'homologation CIK-FIA. Le Constructeur a la possibilité de les modifier seulement dans les limites fixées par le règlement CIK-FIA en vigueur.

This Homologation Form reproduces descriptions, illustrations and dimensions of the carburettor at the moment of the CIK-FIA homologation. The Manufacturer may modify them, but only within the limits fixed by the CIK-FIA regulations in force.



PHOTO CÔTÉ ASPIRATION  
PHOTO OF INLET SIDE



PHOTO CÔTÉ RÉGLAGE  
PHOTO OF ADJUSTING SIDE

Signature et tampon de l'ASN  
*Signature and stamp of the ASN*



*Alex Sinclair 31.01.07*

Signature et tampon de la CIK-FIA  
*Signature and stamp of the CIK-FIA*

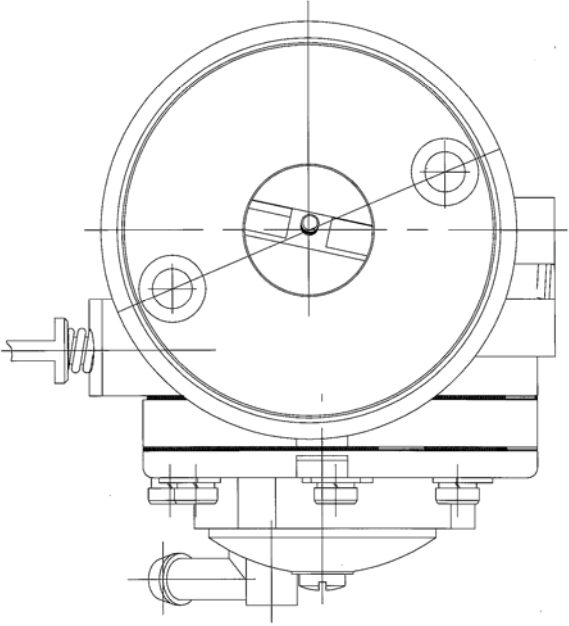
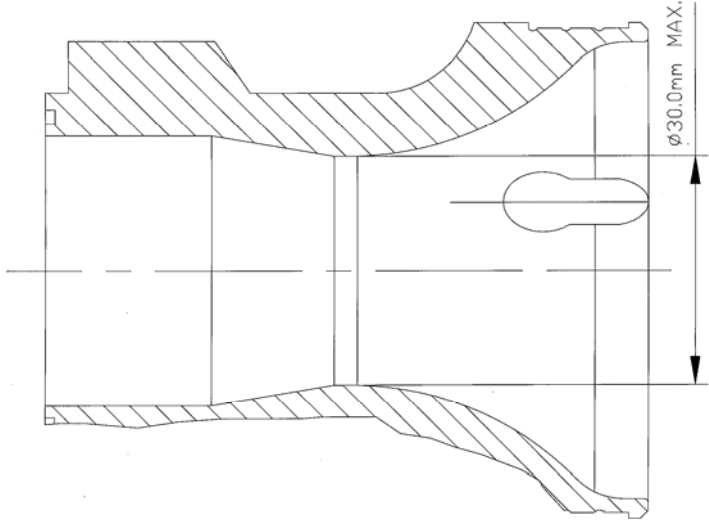


**8/C/15**

VUE EN SECTION  
CONDUIT D'ASPIRATION  
INLET PORT SECTION VIEW

VUE DE FACE  
CÔTÉ ASPIRATION  
INLET SIDE FRONT VIEW

Echelle 1:1 / 1:1 Scale



DESCRIPTION DU CARBURATEUR ET  
ESQUISSE DES PIÈCES

CARBURETTOR DESCRIPTION AND  
SKETCH OF PARTS

Exploded view diagram of the carburettor. The diagram shows the main body, fuel pump, throttle lever, and various internal components. An inset box labeled 'OPTIONAL' shows a throttle shaft assembly with parts 60, 63, and 64.

Detailed exploded view of the throttle lever and needle seat assembly. It shows the throttle lever (17), needle seat (18), and needle seat gasket (19) with their respective fasteners (20).

9	DIAPHRAGM GASKET
10	DIAPHRAGM
11	DIAPHRAGM COVER
12	FUEL PUMP GASKET
13	FUEL PUMP
14	FUEL PUMP BATHRAIR
15	FUEL PUMP BODY
16	FUEL PUMP SCREW (6)
17	FUEL STRAINER SCREEN
18	FUEL STRAINER COVER
19	FUEL STRAINER COVER RETAINING SCREW
20	FUEL STRAINER COVER
21A	IDLE MIXTURE SCREW
21B	IDLE MIXTURE SCREW SPRING
21C	IDLE MIXTURE SCREW WASHER
21D	IDLE MIXTURE SCREW PACKING
21E	IDLE MIXTURE SCREW WASHER
22	INLET CONTROL LEVER
23	INLET CONTROL LEVER FIL CROM SCREW
24	INLET CONTROL LEVER FIL CROM PIN
25	INLET NEEDLE SEAT AND GASKET SET
26	INLET SEAT GASKET
27	INLET TENSION SPRING
28	INLET TENSION SCREW
29	INLET TENSION SPRING
30A	HIGH SPEED MIXTURE SCREW SPRING
30B	HIGH SPEED MIXTURE SCREW WASHER
30C	HIGH SPEED MIXTURE SCREW PACKING
30D	HIGH SPEED MIXTURE SCREW WASHER
31	THROTTLE SHAFT OR OPTIONAL TWO HALF SHAFTS
32	THROTTLE LEVER
33	THROTTLE/BYPASS VALVE SHAFT CLIP (6)
34	THROTTLE LEVER RETAINING SCREW (6)
35	THROTTLE LEVER
36	THROTTLE RETURN SPRING
37	THROTTLE SHUTTER
38	THROTTLE SHUTTER RETAINING SCREW
39	THROTTLE SHUTTER ASSEMBLY
40	BYPASS VALVE DETENT BALL
41	BYPASS VALVE DETENT SPRING
42	BYPASS VALVE DETENT RETENTION PLUG
43	ACCELERATOR PUMP BODY ASSEMBLY
44	ACCELERATOR PUMP SPRING
45	ACCELERATOR PUMP SPRING
46	ACCELERATOR PUMP SPRING
47	ACCELERATOR PUMP SPRING
48	ACCELERATOR PUMP SPRING
49	IDLE MIXTURE
50	IDLE MIXTURE
51	IDLE MIXTURE
52	IDLE MIXTURE
53	IDLE MIXTURE
54	IDLE MIXTURE
55	IDLE MIXTURE
56	IDLE MIXTURE
57	IDLE MIXTURE
58	IDLE MIXTURE
59	IDLE MIXTURE
60	THROTTLE SHAFT (6)
61	THROTTLE SHAFT (6)
62	THROTTLE SHAFT (6)
63	THROTTLE SHAFT (6)
64	THROTTLE SHAFT (6)