

FICHE D'HOMOLOGATION HOMOLOGATION FORM



COMMISSION INTERNATIONALE
DE KARTING – FIA



CARBURATEUR / CARBURETTOR

Constructeur	<i>Manufacturer</i>	TILLOTSON LTD.
Marque	<i>Make</i>	TILLOTSON
Modèle	<i>Model</i>	HW-11
Catégorie	<i>Category</i>	KF2
Durée de l'homologation	<i>Validity of the homologation</i>	9 ans / 9 years
Nombre de pages	<i>Number of pages</i>	2

La présente Fiche d'Homologation reproduit descriptions, illustrations et dimensions du carburateur au moment de l'homologation CIK-FIA. Le Constructeur a la possibilité de les modifier seulement dans les limites fixées par le règlement CIK-FIA en vigueur.

This Homologation Form reproduces descriptions, illustrations and dimensions of the carburettor at the moment of the CIK-FIA homologation. The Manufacturer may modify them, but only within the limits fixed by the CIK-FIA regulations in force.



PHOTO CÔTÉ ASPIRATION
PHOTO OF INLET SIDE



PHOTO CÔTÉ RÉGLAGE
PHOTO OF ADJUSTING SIDE

Signature et tampon de l'ASN
Signature and stamp of the ASN



Alex Sinclair 31.01.07

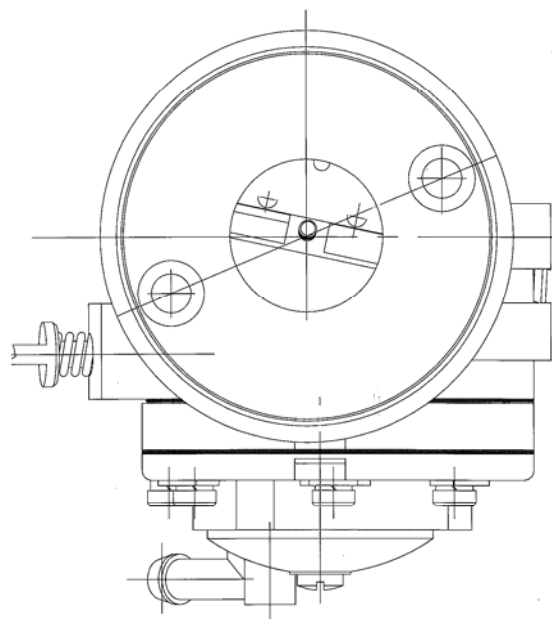
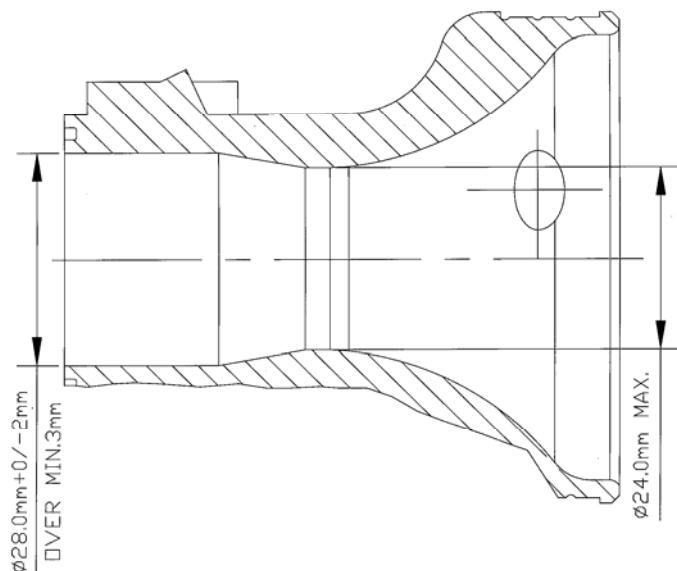
Signature et tampon de la CIK-FIA
Signature and stamp of the CIK-FIA



VUE EN SECTION
CONDUIT D'ASPIRATION
INLET PORT SECTION VIEW

VUE DE FACE
CÔTÉ ASPIRATION
INLET SIDE FRONT VIEW

Echelle 1:1 / 1:1 Scale



DESCRIPTION DU CARBURATEUR ET
ESQUISSE DES PIÈCES

CARBURETTOR DESCRIPTION AND
SKETCH OF PARTS

9	DIAPHRAGM GASKET
10	DIAPHRAGM COVER
11	FUEL PUMP GASKET
12	FUEL PUMP DIAPHRAGM
13	FUEL PUMP BODY
14	FUEL PUMP SCREW (S)
15	FUEL STRAINER COVER GASKET
16	FUEL STRAINER COVER
17	FUEL STRAINER COVER RETAINING SCREW
18	IDLE MIXTURE SCREW
19	IDLE MIXTURE SCREW SPRING
20	IDLE MIXTURE SCREW WASHER
21	IDLE MIXTURE SCREW PACKING
22	INLET CONTROL LEVER
23	INLET CONTROL LEVER FULCRUM PIN
24	INLET NEEDLE SEAT AND GASKET SET
25	INLET SEAT GASKET
26	INLET TENSION SPRING
27	HIGH SPEED MIXTURE SCREW
28	HIGH SPEED MIXTURE SCREW SPRING
29	HIGH SPEED MIXTURE SCREW WASHER
30	HIGH SPEED MIXTURE SCREW PACKING
31	THROTTLE SHAFT FULL
32	THROTTLE LEVER
33	THROTTLE LEVER RETAINING SCREW
34	THROTTLE LEVER RETAINING SCREW CLIP (S)
35	RETAINING CLIP SCREW
36	THROTTLE RETURN SPRING
37	THROTTLE SHUTTER
38	THROTTLE SHUTTER RETAINING SCREW
39	BYPASS VALVE ASSEMBLY
40	BYPASS VALVE DETENT BALL
41	BYPASS VALVE DETENT SPRING
42	BYPASS VALVE DETENT RETENTION PLUG
43	BODY
44	IDLE NOZZLE

OPTIONAL PARTS	
60	THROTTLE SHAFT (S)
61	THROTTLE SHUTTER
62	THROTTLE SHUTTER RETAINING SCREW (S)
63	RETAINING CLIP
64	RETAINING CLIP SCREW

51	MAIN FUEL HOLE PLUG (S)
----	-------------------------