

# FICHE D'HOMOLOGATION HOMOLOGATION FORM



COMMISSION INTERNATIONALE  
DE KARTING – FIA



## CARBURATEUR / CARBURETTOR

Constructeur	<i>Manufacturer</i>	<b>TILLOTSON LTD.</b>
Marque	<i>Make</i>	<b>TILLOTSON</b>
Modèle	<i>Model</i>	<b>HW-10</b>
Catégorie	<i>Category</i>	<b>KF3</b>
Durée de l'homologation	<i>Validity of the homologation</i>	9 ans / 9 years
Nombre de pages	<i>Number of pages</i>	2

La présente Fiche d'Homologation reproduit descriptions, illustrations et dimensions du carburateur au moment de l'homologation CIK-FIA. Le Constructeur a la possibilité de les modifier seulement dans les limites fixées par le règlement CIK-FIA en vigueur.

This Homologation Form reproduces descriptions, illustrations and dimensions of the carburettor at the moment of the CIK-FIA homologation. The Manufacturer may modify them, but only within the limits fixed by the CIK-FIA regulations in force.



PHOTO CÔTÉ ASPIRATION  
PHOTO OF INLET SIDE



PHOTO CÔTÉ RÉGLAGE  
PHOTO OF ADJUSTING SIDE

Signature et tampon de l'ASN  
*Signature and stamp of the ASN*



*Alex Sinclair 31.01.07*

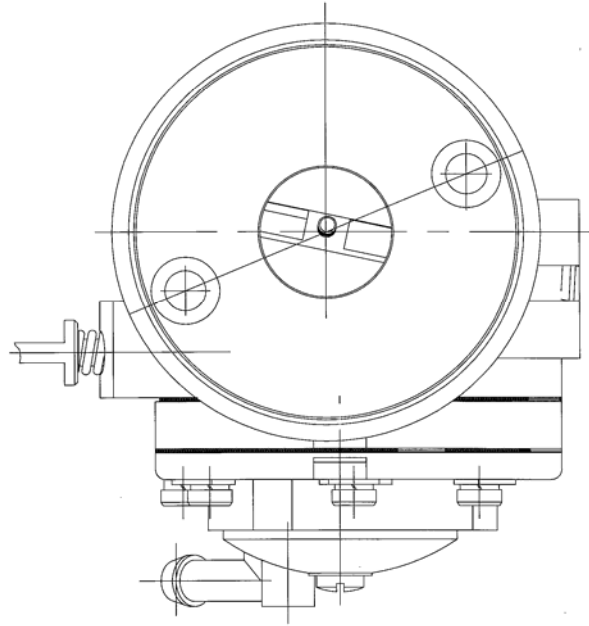
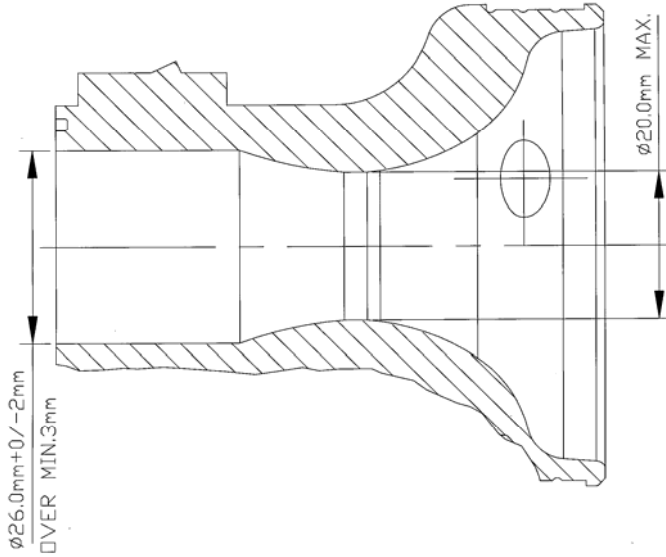
Signature et tampon de la CIK-FIA  
*Signature and stamp of the CIK-FIA*



VUE EN SECTION  
CONDUIT D'ASPIRATION  
INLET PORT SECTION VIEW

VUE DE FACE  
CÔTÉ ASPIRATION  
INLET SIDE FRONT VIEW

Echelle 1:1 / 1:1 Scale



DESCRIPTION DU CARBURATEUR ET  
ESQUISSE DES PIÈCES

CARBURETTOR DESCRIPTION AND  
SKETCH OF PARTS

Exploded view diagram of the carburetor with numbered parts. An inset labeled 'OPTIONAL' shows alternative configurations for the throttle shaft and shutter. A parts list is provided below the diagram.

9	DIAPHRAGM GASKET
10	DIAPHRAGM
11	DIAPHRAGM COVER
13	FUEL PUMP GASKET
14	FUEL PUMP DIAPHRAGM
15	FUEL PUMP BODY
16	FUEL PUMP SCREW (G)
17	FUEL STRAINER SCREEN
18	FUEL STRAINER COVER
19	FUEL STRAINER COVER GASKET
20	FUEL STRAINER COVER RETAINING SCREW
21A	IDLE MIXTURE SCREW
21B	IDLE MIXTURE SCREW SPRING
21C	IDLE MIXTURE SCREW WASHER
21D	IDLE MIXTURE SCREW PACKING
25	INLET CONTROL LEVER
26	INLET CONTROL LEVER FOLLOWUP PIN
26A	INLET CONTROL LEVER FOLLOWUP PIN
27	INLET NEEDLE SEAT AND GASKET SET
28	INLET SEAT GASKET
29	INLET TENSION SPRING
30A	HIGH SPEED MIXTURE SCREW
30B	HIGH SPEED MIXTURE SCREW SPRING
30C	HIGH SPEED MIXTURE SCREW WASHER
30D	HIGH SPEED MIXTURE SCREW PACKING
31	THROTTLE SHAFT FULL
32	THROTTLE LEVER
33	THROTTLE SHAFT CLIP
34	THROTTLE LEVER RETAINING SCREW
35	RETAINING CLIP SCREW
36	THROTTLE RETURN SPRING
37	THROTTLE SHUTTER
38	THROTTLE SHUTTER RETAINING SCREW
48	BIJOU
49	IDLE MIXTURE
55	MAIN FUEL HOLE PLUG (G)

OPTIONAL PARTS

61	THROTTLE SHAFT (G)
62	THROTTLE SHUTTER
63	THROTTLE SHUTTER RETAINING SCREW (G)
64	RETAINING CLIP
65	RETAINING CLIP SCREW

NOTES

OPTIONAL PARTS DO NOT APPLY IF  
CIK ACCEPTS TELLUSON TENDER