

FICHE D'HOMOLOGATION HOMOLOGATION FORM



COMMISSION INTERNATIONALE
DE KARTING – FIA



CARBURATEUR / CARBURETTOR

Constructeur	<i>Manufacturer</i>	BOLEX CARBURETTOR, BOLLHALDER
Marque	<i>Make</i>	BOLEX
Modèle	<i>Model</i>	BJ3
Catégorie	<i>Category</i>	KF3
Durée de l'homologation	<i>Validity of the homologation</i>	9 ans / 9 years
Nombre de pages	<i>Number of pages</i>	2

La présente Fiche d'Homologation reproduit descriptions, illustrations et dimensions du carburateur au moment de l'homologation CIK-FIA. Le Constructeur a la possibilité de les modifier seulement dans les limites fixées par le règlement CIK-FIA en vigueur.

This Homologation Form reproduces descriptions, illustrations and dimensions of the carburettor at the moment of the CIK-FIA homologation. The Manufacturer may modify them, but only within the limits fixed by the CIK-FIA regulations in force.



PHOTO CÔTÉ ASPIRATION
PHOTO OF INLET SIDE

PHOTO CÔTÉ RÉGLAGE
PHOTO OF ADJUSTING SIDE

Signature et tampon de l'ASN
Signature and stamp of the ASN

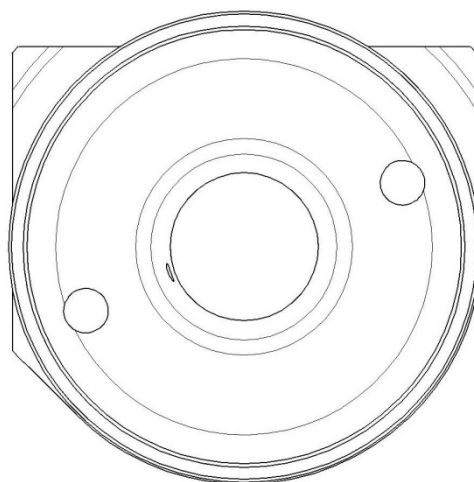
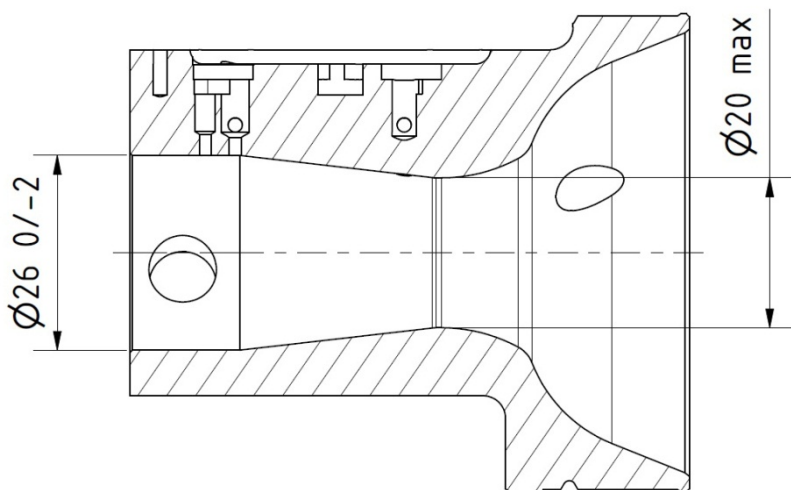
Signature et tampon de la CIK-FIA
Signature and stamp of the CIK-FIA



VUE EN SECTION
CONDUIT D'ASPIRATION
INLET PORT SECTION VIEW

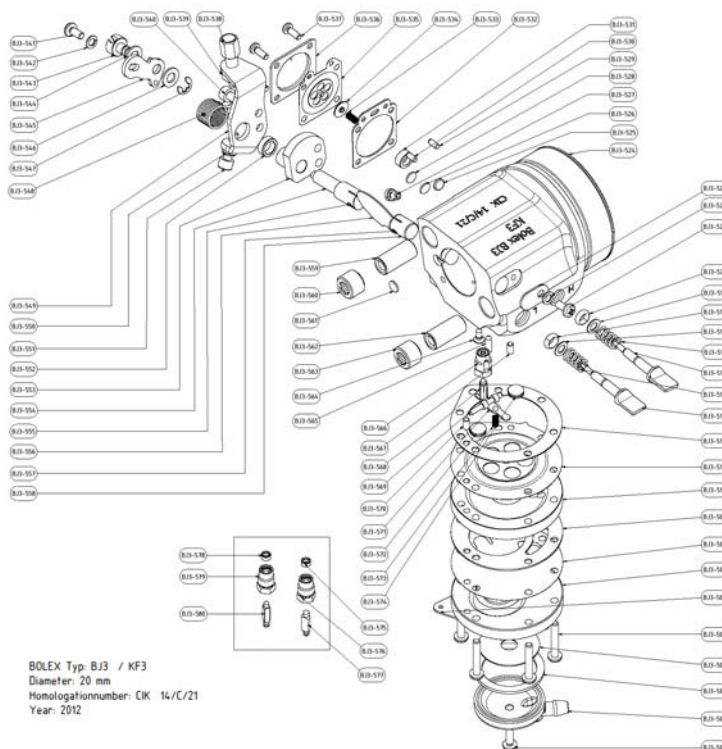
VUE DE FACE
CÔTÉ ASPIRATION
INLET SIDE FRONT VIEW

Echelle 1:1 / 1:1 Scale



DESCRIPTION DU CARBURATEUR ET
ESQUISSE DES PIÈCES

CARBURETTOR DESCRIPTION AND
SKETCH OF PARTS



010-501	Fuel Strainer Cover Screw
010-502	Fuel Strainer Cover
010-503	Fuel Strainer Gasket
010-504	Fuel Strainer Screws
010-505	Fuel Pump Screw, 4 Pcs.
010-506	Spring Wash
010-507	Fuel Pump Body
010-508	Fuel Pump Diaphragm
010-509	Fuel Pump Gasket
010-510	Diaphragm Cover, Incl. 2 Pcs Of Locking Pins
010-511	Mixing Diaphragm
010-512	Mixing Diaphragm Gasket
010-513	Low Speed Mixture Screw I
010-514	High Speed Mixture Screw II
010-515	Low Speed Mixture Screw Spring
010-516	High Speed Mixture Screw Spring
010-517	Low Speed Mixture Screw Washer
010-518	High Speed Mixture Screw Washer
010-519	Low Speed Mixture Screw Packing
010-520	High Speed Mixture Screw Packing
010-521	Retaining Screw
010-522	Lockwasher
010-523	Washer/Shaft Clip
010-524	Lockwasher/Body Compensator
010-525	Strainer/Screen
010-526	Cap
010-527	Regulating Screw With Bore Diameter Between 08 to 2 mm
010-528	Cap
010-529	Locking Bolt
010-530	Locking Bolt
010-531	Locking Bolt
010-532	Locking Bolt
010-533	Locking Bolt
010-534	Locking Bolt
010-535	Locking Bolt
010-536	Locking Bolt
010-537	Locking Bolt
010-538	Locking Bolt
010-539	Locking Bolt
010-540	Locking Bolt
010-541	Locking Bolt
010-542	Locking Bolt
010-543	Locking Bolt
010-544	Locking Bolt
010-545	Locking Bolt
010-546	Locking Bolt
010-547	Locking Bolt
010-548	Locking Bolt
010-549	Locking Bolt
010-550	Locking Bolt
010-551	Locking Bolt
010-552	Locking Bolt
010-553	Locking Bolt
010-554	Locking Bolt
010-555	Locking Bolt
010-556	Locking Bolt
010-557	Locking Bolt
010-558	Locking Bolt
010-559	Locking Bolt
010-560	Locking Bolt
010-561	Locking Bolt
010-562	Locking Bolt
010-563	Locking Bolt
010-564	Locking Bolt
010-565	Locking Bolt
010-566	Locking Bolt
010-567	Locking Bolt
010-568	Locking Bolt
010-569	Locking Bolt
010-570	Locking Bolt
010-571	Locking Bolt
010-572	Locking Bolt
010-573	Locking Bolt
010-574	Locking Bolt
010-575	Locking Bolt
010-576	Locking Bolt
010-577	Locking Bolt
010-578	Locking Bolt
010-579	Locking Bolt
010-580	Locking Bolt

BOLEX Typ B33 / KF3
Diameter: 20 mm
Homologationnumber: CIK 14/C/21
Year: 2012